

# TELEDYNE CONTINENTAL<sup>®</sup> AIRCRAFT ENGINE

## SERVICE INFORMATION LETTER CONTAINS USEFUL INFORMATION PERTAINING TO THE CONTINENTAL AIRCRAFT ENGINE

CATEGORY 5

### SIL99-2B

Technical Portions FAA  
Approved

#### REASON FOR

**CHANGE:** Updated material listings. See revision bars.

**SUBJECT:** CURRENT LISTING OF SEALANTS, LUBRICANTS, & ADHESIVES  
AUTHORIZED BY TCM.

**PURPOSE:** Provide current application of sealants, lubricants & adhesives.

**COMPLIANCE:** During maintenance, overhaul or component repair or replacement.

#### MODELS

**AFFECTED:** All Continental Engine Models.

---

Lubricating oils qualified for use in Teledyne Continental Motors engines are required to meet SAE (Society of Automotive Engineers) specifications.

SAE specification J 1899 (formerly MIL-L-22851) is the approval for aircraft piston engine ashless-dispersant oil.

SAE specification J 1966 (formerly MIL-L-6082E) is the approval for aircraft piston engine non-dispersant mineral oil.

NOTE: MIL-L-6082E dated 1 November 1995 and MIL-L-22851D dated 1 November 1995 is hereby cancelled. Refer to SAE specification SAE J 1966 and SAE J 1899.

Teledyne Continental Motors listing of accepted SAE J 1899 oils by manufacturer and brand name is for the convenience of our customers. Always refer to the label on the oil to ensure that the oil meets the appropriate SAE specification.

QPL-J 1899: Qualified Products List is available from:

SAE Headquarters  
400 Commonwealth Drive  
Warrendale, PA 15096-001

The Naval Air Systems Command is required to maintain QPL-J-1899 and QPL-J-1966.

Naval Air Systems Command  
Air 4.4.5  
Jefferson Davis Highway  
Arlington, VA. 22243-5120

ISSUED			REVISED			 Teledyne Continental Motors, Inc. P.O. Box 90 Mobile Alabama • 251-438-3411	PAGE NO	REVISION
MO	DAY	YEAR	MO	DAY	YEAR		1 of 28 SIL99-2	B
03	29	99	10	17	2005			

Recommended Oil Grade:

Above 40°F ambient air, sea level  
 Below 40°F ambient air, sea level

SAE 50 or Multi Viscosity  
 SAE 30 or Multi Viscosity


**NOTE...**

See TCM Engine Preservation for Active and Stored Aircraft Service Information Letter SIL99-1 for preservation information.

In listing the product names, TCM makes no claim of verification of the marketer's statements or claims. Listing is made alphabetically and is provided only for convenience of the users. If the aviation oil you use or wish to use is not listed, contact the Naval Air Systems Command

QUALIFIED LUBRICATING OIL-ASHLESS DISPERSANT  
 (SAE J 1899)

SUPPLIER	BRAND
BP Oil Corporation	BP Aero Oil
Castrol	Castrol Aero AD Oil
Castrol Limited (Australia)	Castrol Aero AD Oil
Chevron USA	Chevron Aero Oil
Continental Oil	Conoco Aero S
Delta Petroleum Company	Delta Avoil Oil
Exxon Company, USA	Exxon Elite
Exxon Company, USA	Exxon Aviation Oil EE
Gulf Oil Company	Gulfpride Aviation AD
Mobil Oil Company	Mobile Aero Oil
NYCO SA	Turbonycoil 3570
Pennzoil Company	Pennzoil Aircraft Engine Oil
Phillips Petroleum Company	Phillips 66 Aviation Oil, Type A 100 AD, 120 AD
Phillips Petroleum Company	X/C Aviation Multiviscosity Oil SAE 20W-50, SAE 25W-60
Quaker State Oil & Refining Co.	Quaker State AD Aviation Oil
Red Ram Limited (Canada)	Red Ram X/C Aviation Oil 20W-50
Shell - Australia	Aeroshell (R) W
Shell Canada Limited	Aeroshell Oil W, 15W – 50 Anti-wear Formulation
Shell USA	Aeroshell Oil W, 15W – 50 Anti-wear Formulation
Shell USA	Aeroshell Oil W100 Plus, W80 Plus
Sinclair Oil Company	Sinclair Avoil
Texaco Inc.	Texaco Aircraft Engine Oil-Premium AD
Total France	Total Aero DM 15W - 50
Union Oil Company of California	Union Aircraft Engine Oil HD

ISSUED			REVISED			 <b>Teledyne Continental Motors, Inc.</b> P.O. Box 90 Mobile Alabama • 251-438-3411	PAGE NO	REVISION
MO	DAY	YEAR	MO	DAY	YEAR		2 of 28	B
03	29	99	10	17	2005		SIL99-2	

<b>Break-in Oil</b>
SAE J 1966- Aviation (replaces MIL-L-6082) non-dispersant mineral lubricating oil for piston aircraft engines.
MIL-C-6529 Type II Corrosion preventive mineral oil (fly-away-oil)
NOTE . . . Mineral oil conforming with MIL-C-6529 Type II contains a corrosion preventive additive and must not be used for more than 25 hours or six months, whichever occurs first. If oil consumption has not stabilized in this time, drain and replenish the oil and replace the oil filter.,

<b>Preservative Oil</b>		
TYPE	EQUIVALENT	APPLICATION
MIL-P-46002	Grade 1 oil, (NOX RUST VCI-105)	For Temporary and Indefinite storage
MIL-P-46002	Motorstor Engine Protectant	For Temporary and Indefinite storage

### **OIL CHANGE INTERVALS**

Refer to the engine operator/maintenance manual and/or the aircraft manufacturer's or Supplemental Type Certificate (STC) holders POH/AFM for fuel specifications, specified oil change intervals and inspection procedures.

The oil change intervals published in the Operators Manuals are minimum requirements. Teledyne Continental Motors feels that more frequent oil and filter changes enhance engine service life. As such TCM recommends that engine oil be drained and replenished every 25 hours of operation or 4 months for engines that incorporate an oil screen. Engines with full flow oil filters, either large or small, should have the oil changed every 50 hours or 4 months.

**NOTE...** When using the small (4.80 inch high oil filter) do not exceed 50 hours and/or 6 months between oil and filter changes. When using the larger (5.80 inch high oil filter) do not exceed 100 hours and/or 6 months between oil and filter changes. Oil screens and oil filter elements must be inspected for contaminants at each oil change. Oil analysis may be used in addition to the oil screen or filter element inspection, but not as a replacement for it.

### **ADDITIVES**

There are many fuel and oil additives and/or concentrates on the market today which were formulated primarily for automotive and industrial engine applications. From time to time, we receive inquiries as to the use of these products in our aircraft engines. Most of these additives and concentrates, while they may be highly beneficial to automotive and industrial operation, are not compatible with air-cooled, light aircraft engines in their operating environments. With the exception of the use of isopropyl alcohol and ethylene glycol monomethyl ether compound as described in the following paragraph, we do not recommend the use of additives or concentrates in any of our aircraft engines. In fact, the use of such can be cause for voiding the warranty. Use only fuels and lubricants as recommended herein and in current engine operating manuals.

Under certain ambient conditions of temperature/humidity, water can be supported in the fuel in sufficient quantities to create restrictive ice formation along various segments of fuel system. To alleviate the possibility of this occurring, it is permissible to add Isopropyl Alcohol to the fuel supply in quantities not to exceed 3 percent of the total. Also, Diethylene Glycol Monomethyl Ether (DEGMME) conforming to military specification MIL-DTL-85470B, if approved for use in the aircraft fuel system by the aircraft manufacturer, may be added for this purpose. The DEGMME compound must be carefully mixed with the fuel in concentrations not to exceed 0.15 percent by volume.

ISSUED			REVISED			 <b>Teledyne Continental Motors, Inc.</b> P.O. Box 90 Mobile Alabama • 251-438-3411	PAGE NO	REVISION
MO	DAY	YEAR	MO	DAY	YEAR		3 of 28	B
03	29	99	10	17	2005		SIL99-2	

## WARNING

**Mixing of the DEGMME compound with the fuel is extremely important because concentration in excess of that recommended (0.15 percent volume maximum) could have a harmful effect on engine components. Use only blending equipment and procedures that are recommended by the manufacturer to obtain proper proportioning.**

<b>Lubricants</b>		
<b>TYPE</b>	<b>APPLICATION</b>	<b>REMARKS</b>
Molyshield Grease  P/N 656817-1 6 Gallon Can P/N 656817-2 14OZ Cartridge	Starter Worm Gear Drive Teeth & Bevel Gear Teeth	All Models At engine Assembly
	Needle bearings and ball bearings	
	Valve stems	
	Adapter-Tach Reduction	(TSIO & L/TSIO 360)
	All Accessory drive splines and couplings	All models as applicable
	Idler gear and pin	GTSIO/IO/TSIO-520, IO/O/TSIO-470 all 550
	Oil Seal Lips only	All Models
	Fuel injection controls, o-rings, springs, shafts and bushings	Except models: TSIO-520-D, all 360, & GTSIO-520-K which use grade 50 W Motor oil
	Magneto rubber drive bushings	All Models
Oil Pumps (Pressure & Scavenge)	All Models / Coat gear cavity at assembly of pump	
Grade 50 Break-in Non-compounded Aviation Oil SAE J 1966	Crankshaft Bearings Connecting Rod Bearings Prop Driver, Driven Gears & Bearings Camshaft Bearings Tachometer Gears & Adapters Accessory Spur Gear Teeth Quill Shaft Splines Prop Governor Trans Collar & Sleeve Starter Cone, Bushing & Nut Starter Clutch Spring (ID & OD)	All Models
	Valve Guide Seals	All Models / Apply to sealing surface
	Pistons, Piston Pins & Piston Rings	All Models
	Fuel connections to carb. (male threads only)	Carburetor equipped models
	V.T.C. Unit Pistons & centrifugal valves. Rocker arms, pivots, valves and tappets	TIARA 6-285, 6-230
	Thrust Washers Oil Filter adapter seals O-Rings	All Models

ISSUED			REVISED			 <b>Teledyne Continental Motors, Inc.</b> P.O. Box 90 Mobile Alabama • 251-438-3411	PAGE NO	REVISION
MO	DAY	YEAR	MO	DAY	YEAR		4 of 28	B
03	29	99	10	17	2005		SIL99-2	

<b>Lubricants (continued)</b>		
Dow Corning® G-N Paste [Dow Corning® G-N Paste is a registered trademark of Dow Corning Corporation.]	Camshaft lobes and tappet faces	At engine assembly
Shell Alvania # 2  P/N 654561	Apply a light coat at point of contact between nut seat and ferrule on ignition lead	All Models
Shell #5 MIL-G-3545-C Grease  P/N 654468-1 1 Gallon Can	All Fuel injection linkages O-Rings on Fuel Pumps Fuel pressure regulator spring seat Mixture Shaft Bushings	All Models / At assembly
P/N 646943 - Anti Seize Lubricant or Loctite 76732 Anti-Seize Lubricant	All fuel injector nozzles (at cylinder head)	Fuel Injected Models / Use sparingly on male threads only Apply in accordance with Figure 8
	Exhaust studs	All Models (nut end before torquing)
	All mechanical tach drive housing threads not through to an oil source Plug Vernatherm All .3125 and larger studs unless otherwise noted	At engine assembly
	Oil sump return fitting	IO-360-ES3B & IO-360-HB9B
	Air Reference Fittings on all Throttle bodies	Engine Models as applicable
50 Weight Non-compounded or Ashless Dispersant Aviation Oil SAE J 1966	Cylinder studs and through bolts, crankcase studs, connecting rod bolts and nuts and engine accessory studs unless otherwise specified	All Models / Lube thread and nut seat before tightening nuts
CHAMPION® - Spark Plug Thread Lubricant No. 2612 [CHAMPION® is a registered trademark of Cooper Industries.]	Spark plugs	All Models
Chesterton #995 Release agent or WD-40	Induction system hose and flex duct connections, Fuel Pump Aneroid Seal	All Models
Dow Corning® No. 4	Apply to rubber oil seal of spin-on oil filter  Gaskets - Governor pad (both sides) Gaskets-Mag adapter (both sides)	Engine Models as applicable
Lubriplate 930 AA	O.D. of Valve Guides	All models at installation of guide
CRC 3-36 Rust Preventative Compound	Spray exhaust end of turbocharger	For engine preservation

ISSUED			REVISED			 <b>Teledyne Continental Motors, Inc.</b> P.O. Box 90 Mobile Alabama • 251-438-3411	PAGE NO	REVISION
MO	DAY	YEAR	MO	DAY	YEAR		5 of 28	B
03	29	99	10	17	2005		SIL99-2	

<b>Sealants</b>		
<b>TYPE</b>	<b>APPLICATION</b>	<b>REMARKS</b>
Permatex Aviation Grade 3D And P/N 641543 Silk Thread	Crankcase parting face	All Models / Apply in accordance with Figures 1 through 7 as applicable
	Starter adapter to accessory case	Apply in accordance with Figure 19
	Accessory Drive Adapter	Apply in accordance with Figure 20
	Pressure oil pump covers, Pressure scavenge pump covers	Apply in accordance with Figures 10 through 18
P/N 653692 - Primer P/N 653692-1 1.75 Oz Bottle or Loctite LocQuic Primer 7649	Crankcase crankshaft nose oil seal area	All models
P/N 646942 - Gasket Maker or Loctite 515Gasket Eliminator Sealant	Sump to crankcase	TSIO-520-UB, TSIOL-550-B
	Crankcase parting face	All Models / Apply in accordance with Figures 1 through 7 as applicable
	Engine nose seal, scavenge oil pump covers, between crankcase and sump gasket, oil pump covers	All Models
	Between starter adapter gasket & crankcase	Permold model engines
	Between Oil sump and Sump Gasket	All Models (Non beaded gaskets only)
	642910 OIL SEAL, O.D. of all uncoated oil seals, except fuel pump adapter seal	All models where applicable
P/N 642188 - Gasket Sealant (K & W Copper Coat 1504-12)	All gaskets both sides, except magneto gasket & gaskets between intake manifold & cylinder heads	TIARA 6-285, 6-230
	Gasket - Accessory case to crankcase (Crankcase side only)	C-90, O-200, O-300, 360 & IO-240
	Gasket - Cam bore cover (except beaded gaskets)	470, 520, 550, GTSIO-520 Models and IO-240
	Gasket - Idler Pin	470, 520, GTSIO-520, all 550
	Gasket - Intake Manifold	All models
	Oil drain back tubes	C-90, O-200, O-300
	Gasket & Oil filler neck holes	470, 520, 550 (Sandcast) and GTSIO-520
	Gasket - Oil cooler both sides	All 360 models
	Oil seal at alternator drive (O.D. only)	TIARA 6-285, 6-230
	All press type plugs (Hubbard etc)	All Models
	In parting line area of 3-way joints	Sump to crankcase or sump to crankcase to accessory case

ISSUED			REVISED			 <b>Teledyne Continental Motors, Inc.</b> P.O. Box 90 Mobile Alabama • 251-438-3411	PAGE NO	REVISION
MO	DAY	YEAR	MO	DAY	YEAR		6 of 28	B
03	29	99	10	17	2005		SIL99-2	

<b>Sealants (Continued)</b>		
Continued P/N 642188 - Gasket Sealant (K & W Copper Coat 1504-12)	Oil seal accessory drive (O.D. only)	TSIO-360, A, AB, C, CB, D, DB and IO-360-C, CB,G,GB
	2 Bolt suction tube gasket - both sides	All 470, 520, 550 models as applicable
Loctite 592 Teflon PS/T Pipe Sealant	Use on all pipe threads except as noted All pressure relief valve housing threads Permold 2 studs engine mount 1-3-5 side bottom	
	All threaded fasteners installed in a through hole to an oil source	Apply before installing threaded part
P/N 646940 - F/I Sealant or Loctite 569 Hydraulic Sealant	All pipe thread fittings in fuel injection system	Apply in accordance with Figure 9
P/N 649246 Loctite 290 Sealant	Data plate screw installation on throttle bodies	All models where applicable
Miller-Stephenson MS 122DF	Ignition harness terminals at magneto block end	All Models

<b>Adhesives</b>		
<b>TYPE</b>	<b>APPLICATION</b>	<b>REMARKS</b>
Loctite 271 High Strength Adhesive Sealant (used with P/N 653693 Primer or Loctite 7471)	Rocker cover stud, rocker arm pivot studs, push rod retainer stud	TIARA 6-285, 6-230 only
	Cylinder deck studs	All models breakaway torque 100 in-lbs. after 2 hrs
	Crankcase breather tubes	470 & 520 (Sandcast) & GTSIO-520
	Bolts for nose seal retainer to crankcase	All Models
	Squirt nozzle	All Models
	Mechanical Tach Drive Studs to an oil source	Engine models as applicable
	Oil pump gear mounting pin in accessory cover	360 models
	All press fit breather and oil filler necks	360 & IO-240 models
	Intake manifold mount studs	C-75, C-85, C-90 & O-200
	V.T.C. unit bushing retaining screw	TIARA 6-285, 6-230
	V.T.C. unit housing to crankshaft	
	Top accessory drive gear (breather slinger) bolts	
	Studs on coolant manifold	All liquid cooled models
	Fuel manifold valve diaphragm & plunger assembly	IO-240 All 360, 470, 520, 550 models

ISSUED			REVISED			 <b>Teledyne Continental Motors, Inc.</b> P.O. Box 90 Mobile Alabama • 251-438-3411	PAGE NO	REVISION
MO	DAY	YEAR	MO	DAY	YEAR		7 of 28	B
03	29	99	10	17	2005		SIL99-2	

<b>Adhesives (Continued)</b>		
Loctite 271 High Strength Adhesive Sealant (used with #653693 Primer or Loctite 7471) (Cont'd)	Oil gauge rod housing to crankcase	All IO-360 & TSIO-360, IO-470, All O-470, All TSIO-470 all IO-520-A, D, E, G, J, K, L; IO-550-D, E, F TSIO-520-A, AE, AF, C, CE, G, H, M, P, R, T
	Timing indicator pin	All GTSIO-520
Loctite 222 Sealant (optional Loctite Hydraulic Sealant 569) or TCM P/N 646940-1	Through stud holes on accessory end of crankcase	All 470, 520, 550 models (apply when installing studs)
	Solenoid valve assembly (Bracket to valve)	TSIO-360-MB & SB & IO-360-ES2B
	Manifold valve to bracket screws	All Models
	Coolant pump impeller ring screws	All liquid cooled models
	Studs .25 diameter and smaller	All Models
	Data plate screws on manifold valve assembly	All Models
P/N 654562-1 (50 ml) P/N 654562-2 (250ml) Loctite 609 Adhesive / Sealant	Bearing O.D. installed on starter clutch assembly	O-200-A, B, IO-240-A, B, O-300-A
	Fuel pump adapter seal	All Models
	Fuel pump shaft seal	
Loctite 620 Adhesive/Sealant	Coolant pump mechanical seal	All liquid cooled models
P/N 654743 / 3M Scotchcast 10 (XR5241) Epoxy	Epoxy field coil leads to starter housing	24 Volt Starters
P/N 654470-1 / 3M Brand EC 1252 White Spot Seal Putty	Air throttle & fuel metering assembly Magneto flanges Cylinder deck stud nuts & all through bolts All fuel pump, manifold valve, throttle and control fittings	All Models
P/N 655114-1 Adhesive Sealant (Devcon)	Use for sealing aneroid air reference path between basic fuel pump housing and vapor separator body (Setup only)	Fuel Pumps 646766, 646767 & 646824
P/N 649366 (Loctite 242)	Fitting Magneto Housing (Pressurization)	Engine models as applicable

<b>Miscellaneous</b>		
<b>TYPE</b>	<b>APPLICATION</b>	<b>REMARKS</b>
<b>TCM P/N 626531-1</b> Enamel - Gold (1qt) <b>TCM P/N 626531-2</b> Enamel - Gold (1 gal)	High temp. paint for cosmetic and corrosion protection	
<b>TCM P/N 535011</b> Lockwire -.032 in dia. Steel, Corrosion Resistant	Where applicable for lockwiring	
<b>"ACCELAGOLD"</b> Turco® Products	Corrosion protection interior and exterior aluminum parts	

ISSUED			REVISED			 <b>Teledyne Continental Motors, Inc.</b> P.O. Box 90 Mobile Alabama • 251-438-3411	PAGE NO	REVISION
MO	DAY	YEAR	MO	DAY	YEAR		8 of 28	B
03	29	99	10	17	2005		SIL99-2	



## *Product Locator*

**Dow Corning® G-N Paste** is a registered trademark of Dow Corning Corporation

**Dow Corning® No. 4**

For Distributor information call - 1-800-248-2481, have state & city information available

**Permatex**

**Permatex Aviation Grade 3D**

For Distributor information call: Permatex Customer Service @ Phone: 1-877-376-2839

**Loctite**

**Loctite Gasket Eliminator**

**Loctite LocQuic Primer 7649**

**Loctite Teflon PS/T Pipe Sealant**

**Loctite Hydraulic Sealant 569**

**Loctite 271**

**Loctite LocQuic Primer 7471**

**Loctite Adhesive Sealant 222**

May be purchased through your local TCM Distributor or For Distributor information: Henkel Loctite Customer Service @ Phone: 1-800-243-4874

**Alvania (Shell #2)**

**MIL-S-3545C Grease (Shell #5)**

For Distributor information: Shell Product Information Center, Phone: 1-800-231-6950

**CHAMPION®** is a registered trademark of Cooper Industries

For Champion Products Distributor information: Phone: 864-843-5400

**K&W Copper Coat**

For Distributor information call: CRC Industries Customer Service Phone: 1-800-423-9446

**Miller-Stephenson MS 122/C02 Spray**

For Distributor information: Miller-Stephenson Customer Service, Phone: 1-800-992-2424

[www.miller-stephenson.com](http://www.miller-stephenson.com)

**Super Molyshield Grease**

May be purchased through: American Lubricants  
1227 Deeds  
Dayton, Ohio 45401  
Phone: (937) 222-2851

**3M Brand EC1252 White Spot Putty**

**3M Scotchcast 10 (XR5241) Epoxy** For Distributor Information: 1-888-364-3577

**“ACCELAGOLD”** by Turco®

Henkel Surface Technologies  
North American Headquarters  
32100 Stephenson Hwy.  
Madison Heights, MI 48071  
(248) 583 - 9300 Phone  
(248) 583 - 2976 Fax

**MIL-P-46002**

**Grade 1 oil, (NOX RUST VCI-105)**

May be purchased through: Daubert Chemical  
4700 South Central Ave  
Chicago, IL 60638  
708-563-8325


**Motorstor®** (11oz Spray Can)

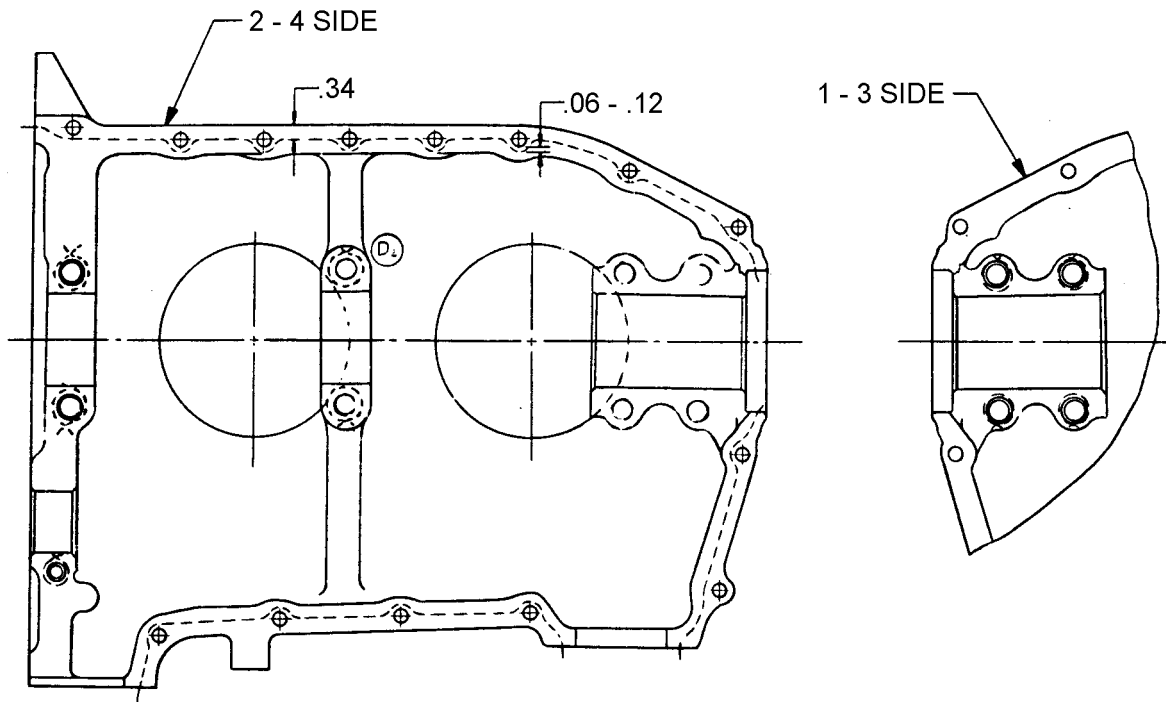
May be purchased through:

Highland Aerospace  
P.O. Box 3214  
Peachtree City, GA 30269  
404-403-5602  
[www.highaero.com](http://www.highaero.com)

**Chesterton Technical Product Information**

Phone: 1-781-438-7000

ISSUED			REVISED			 <b>Teledyne Continental Motors, Inc.</b> P.O. Box 90 Mobile Alabama • 251-438-3411	PAGE NO	REVISION
MO	DAY	YEAR	MO	DAY	YEAR		9 of 28	B
03	29	99	10	17	2005		SIL99-2	



**FIGURE 1. C75, C85, C90, 0200 CRANKCASE THREADING DIAGRAM**  
**CRANKCASE SEALANT AND**  
**THREADING PROCEDURE**

1. Use full strength non-thinned Permatex aviation grade 3D. Shake or mix well before using.

**WARNING**

Apply thread and permatex only as illustrated.

2. Apply Permatex Number 3D to the 2-4 case half. Apply Permatex only in areas where thread is shown. When applying, use short light brush strokes until an even thin coat is obtained. The Permatex should be viscous enough that most of the brush marks disappear; if not, use a new can of Aviation Permatex. Allow the Permatex to air dry to a tacky condition before threading.

**NOTE...**

Do not apply Permatex to crankshaft nose seal area.

3. Apply a thin translucent coat of TCM Gasket Maker P/N 646942 not to exceed .010 inch thick to 1-3 case half. Apply Gasket Maker in all areas that will mate with areas where

Permatex was applied on 2-4 case half except the through bolt bosses.

4. Apply and position grade D silk thread P/N 641543 on case halves as specified in Figure 1. Be sure free ends of thread are covered by gaskets except at the nose oil seal.

5. Clean crankcase crankshaft front oil seal land with Locquic Primer "N" and apply an even coat of gasket maker.

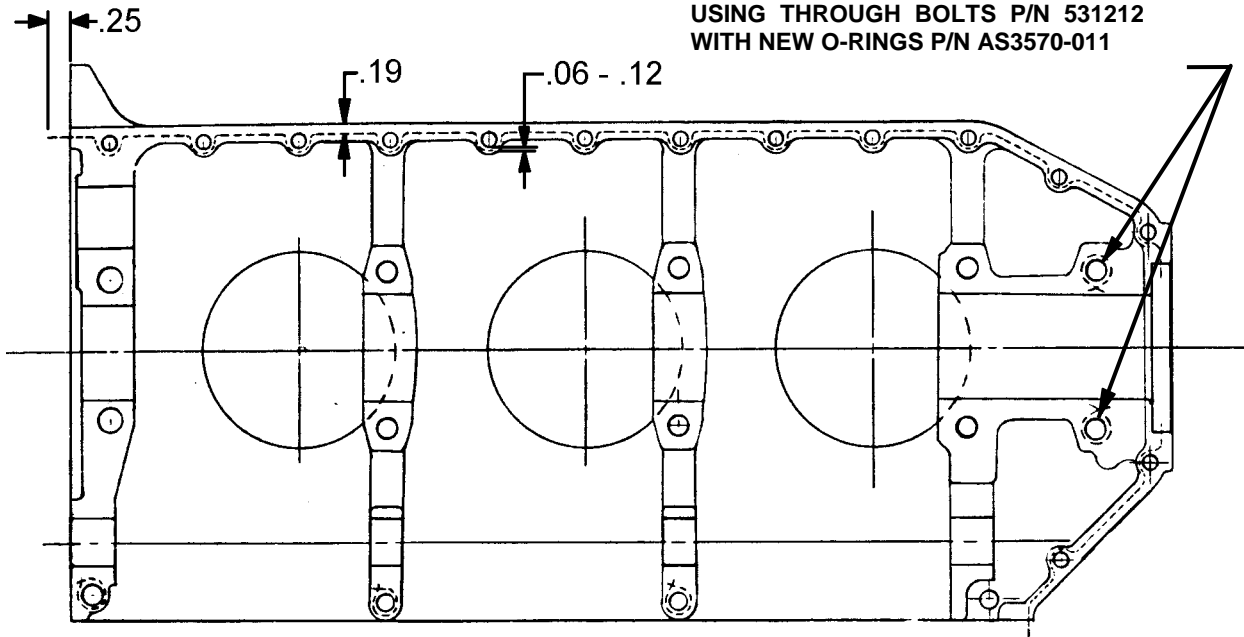
6. Assemble crankcase halves, install and torque all crankcase hardware in proper sequence in accordance with the applicable overhaul manual as soon as possible.

**NOTE...**

Take care to prevent displacement or damage to the crankshaft oil seal and silk thread. Insure thrust washer halves and bearing halves remain in place.

ISSUED			REVISED			 <b>Teledyne Continental Motors, Inc.</b> P.O. Box 90 Mobile Alabama • 251-438-3411	PAGE NO	REVISION
MO	DAY	YEAR	MO	DAY	YEAR		10 of 28 SIL99-2	B
03	29	99	10	17	2005			

SILK THREAD P/N 641543 NOT  
 REQUIRED IN THESE POSITIONS IF  
 USING THROUGH BOLTS P/N 531212  
 WITH NEW O-RINGS P/N AS3570-011



**FIGURE 2. 0300 CRANKCASE THREADING DIAGRAM**

**CRANKCASE SEALANT AND THREADING  
 PROCEDURE**

1. Use full strength non-thinned Permatex aviation grade 3D. Shake or mix well before using.

**WARNING**

**Apply thread and permatex only as illustrated.**

2. Apply Permatex Number 3D to the 2-4-6 case half. Apply Permatex only in areas where thread is shown. When applying, use short light brush strokes until an even thin coat is obtained. The Permatex should be viscous enough that most of the brush marks disappear; if not, use a new can of Aviation Permatex. Allow the Permatex to air dry to a tacky condition before threading.

**NOTE...**

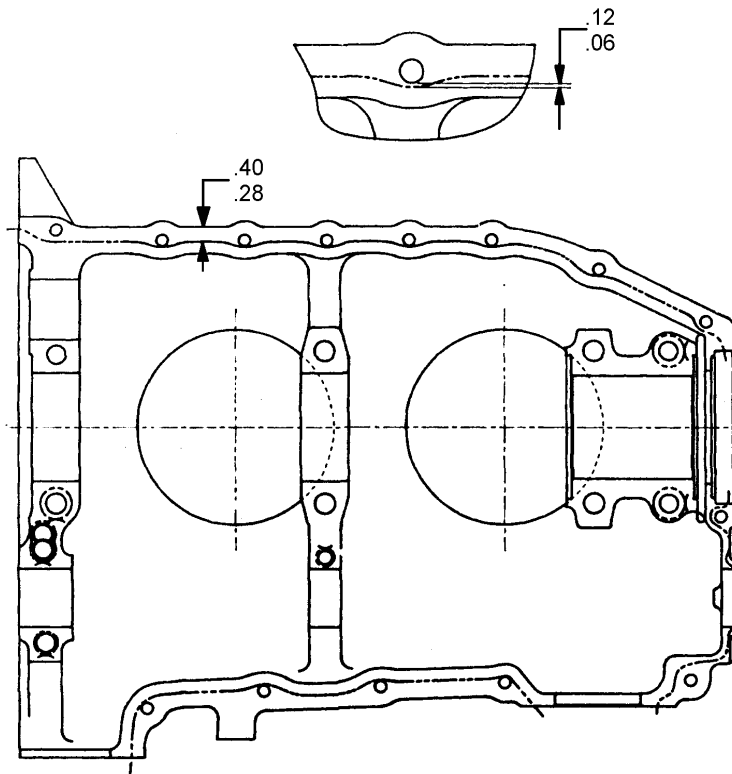
Do not apply Permatex to crankshaft nose seal area.

3. Apply a thin translucent coat of TCM Gasket Maker P/N 646942 not to exceed .010 inch thick to 1-3-5 case half. Apply Gasket Maker in all areas that will mate with areas where Permatex was applied on 2-4-6 case half.
4. Apply and position grade D silk thread P/N 641543 on 2-4-6 case half as specified in Figure 2. Be sure free ends of thread are covered by gaskets except at the nose oil seal.
5. Clean crankcase crankshaft front oil seal land with Locquic Primer "N" and apply an even coat of gasket maker.
6. Assemble crankcase halves, install and torque all crankcase hardware in proper sequence in accordance with the applicable overhaul manual as soon as possible.

**NOTE...**

Take care to prevent displacement or damage to the crankshaft oil seal and silk thread. Insure thrust washer halves and bearing halves remain in place.

ISSUED			REVISED				PAGE NO	REVISION
MO	DAY	YEAR	MO	DAY	YEAR		11 of 28 SIL99-2	B
03	29	99	10	17	2005	P.O. Box 90 Mobile Alabama • 251-438-3411		



**FIGURE 3. I0240 CRANKCASE THREADING DIAGRAM**

**CRANKCASE SEALANT AND THREADING PROCEDURE**

1. Use full strength non-thinned Permatex aviation grade 3D. Shake or mix well before using.

**WARNING**

**Apply thread and permatex only as illustrated.**

2. Apply Permatex Number 3D to the 2-4 case half. Apply Permatex only in areas where thread is shown. When applying, use short light brush strokes until an even thin coat is obtained. The Permatex should be viscous enough that most of the brush marks disappear; if not, use a new can of Aviation Permatex. Allow the Permatex to air dry to a tacky condition before threading.

**NOTE...**

Do not apply Permatex to crankshaft nose seal area.

3. Apply a thin translucent coat of TCM Gasket Maker P/N 646942 not to exceed .010 inch thick to 1-3 case half. Apply Gasket Maker in all areas that will mate with areas where

Permatex was applied on 2-4 case half except the through bolt bosses.

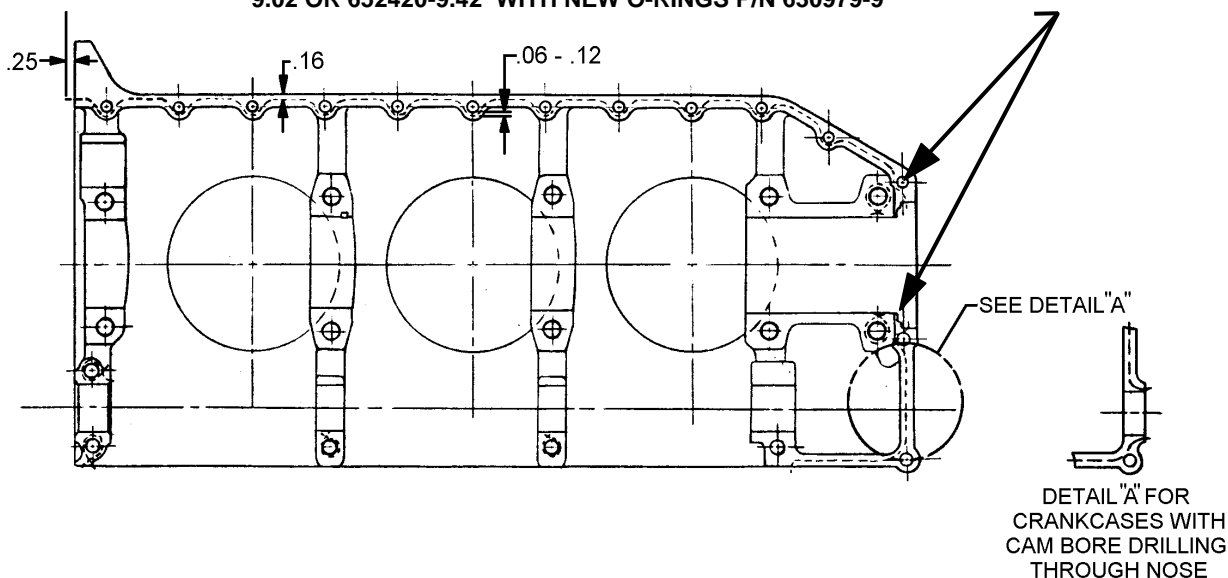
4. Apply and position grade D silk thread P/N 641543 on 2-4 case half as specified in Figure 3. Be sure free ends of thread are covered by gaskets except at the nose oil seal.
5. Clean crankcase crankshaft front oil seal land with Locquic Primer "N" and apply an even coat of gasket maker.
6. Assemble crankcase halves, install and torque all crankcase hardware in proper sequence in accordance with the applicable overhaul manual as soon as possible.

**NOTE...**

Take care to prevent displacement or damage to the crankshaft oil seal and silk thread. Insure thrust washer halves and bearing halves remain in place.

ISSUED			REVISED				PAGE NO	REVISION
MO	DAY	YEAR	MO	DAY	YEAR		12 of 28 SIL99-2	B
03	29	99	10	17	2005	P.O. Box 90 Mobile Alabama • 251-438-3411		

SILK THREAD P/N 641543 NOT REQUIRED IN THESE POSITIONS IF USING THROUGH BOLTS P/N 652420-5.56, 652420-6.80, 652420-9.02 OR 652420-9.42 WITH NEW O-RINGS P/N 630979-9



**FIGURE 4. I0360, L/TSI0360 CRANKCASE THREADING DIAGRAM**

**CRANKCASE SEALANT AND THREADING PROCEDURE**

1. Use full strength non-thinned Permatex aviation grade 3D. Shake or mix well before using.

**WARNING**

**Apply thread and permatex only as illustrated.**

2. Apply Permatex Number 3D to the 2-4-6 case half. Apply Permatex only in areas where thread is shown. When applying, use short light brush strokes until an even thin coat is obtained. The Permatex should be viscous enough that most of the brush marks disappear; if not, use a new can of Aviation Permatex. Allow the Permatex to air dry to a tacky condition before threading.

**NOTE...**

Do not apply Permatex to crankshaft nose seal area.

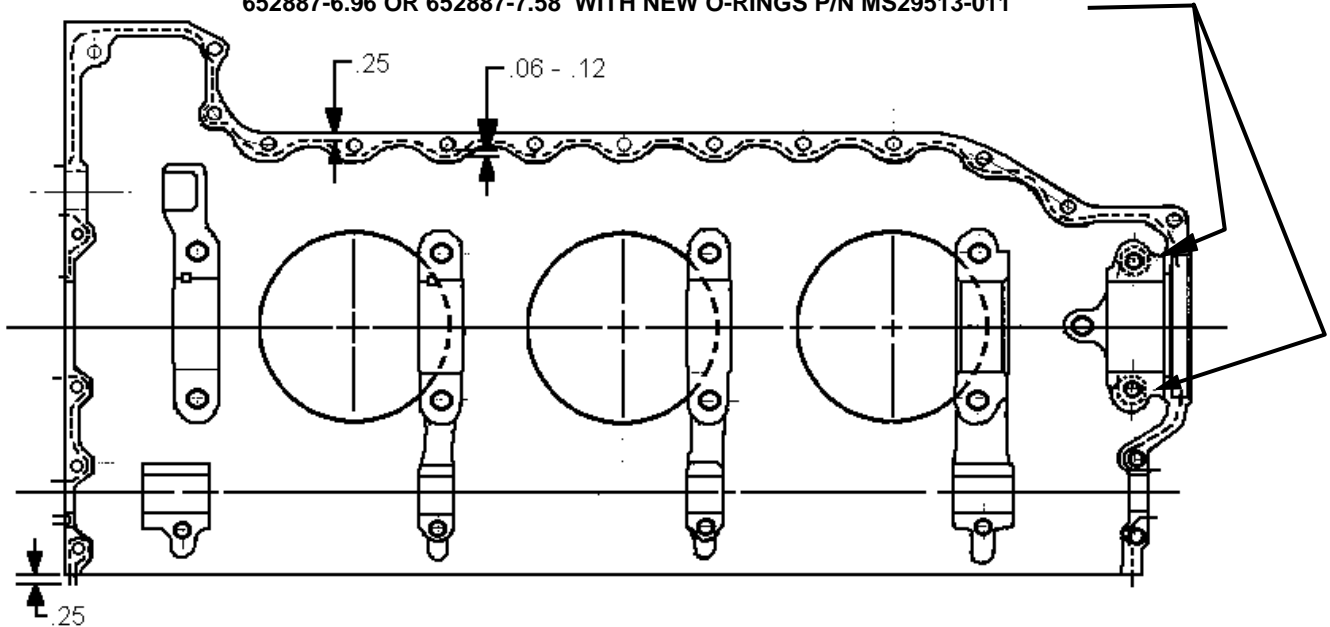
3. Apply a thin translucent coat of TCM Gasket Maker P/N 646942 not to exceed .010 inch thick to 1-3-5 case half. Apply Gasket Maker in all areas that will mate with areas where Permatex was applied on 2-4-6 case half.
4. Apply and position grade D silk thread P/N 641543 on 2-4-6 case half as specified in Figure 4. Be sure free ends of thread are covered by gaskets except at the nose oil seal.
5. Clean crankcase crankshaft front oil seal land with Locquic Primer "N" and apply an even coat of gasket maker.
6. Assemble crankcase halves, install and torque all crankcase hardware in proper sequence in accordance with the applicable overhaul manual as soon as possible.

**NOTE...**

Take care to prevent displacement or damage to the crankshaft oil seal and silk thread. Insure thrust washer halves and bearing halves remain in place.

ISSUED			REVISED				PAGE NO	REVISION
MO	DAY	YEAR	MO	DAY	YEAR		13 of 28 SIL99-2	B
03	29	99	10	17	2005	P.O. Box 90 Mobile Alabama • 251-438-3411		

SILK THREAD P/N 641543 NOT REQUIRED IN THESE POSITIONS IF USING THROUGH BOLTS P/N 652887-5.31, 652887-6.74, 652887-6.50, 652887-6.19, 652887-6.96 OR 652887-7.58 WITH NEW O-RINGS P/N MS29513-011



**FIGURE 5. I0520, TSI0520, I0550, TSI0550 PERMOLD ENGINE CRANKCASE THREADING DIAGRAM**

**CRANKCASE SEALANT AND THREADING PROCEDURE**

1. Use full strength non-thinned Permatex aviation grade 3D. Shake or mix well before using.

**WARNING**

**Apply thread and permatex only as illustrated.**

2. Apply Permatex Number 3D to the 2-4-6 case half. Apply Permatex only in areas where thread is shown. When applying, use short light brush strokes until an even thin coat is obtained. The Permatex should be viscous enough that most of the brush marks disappear; if not, use a new can of Aviation Permatex. Allow the Permatex to air dry to a tacky condition before threading.

**NOTE...**

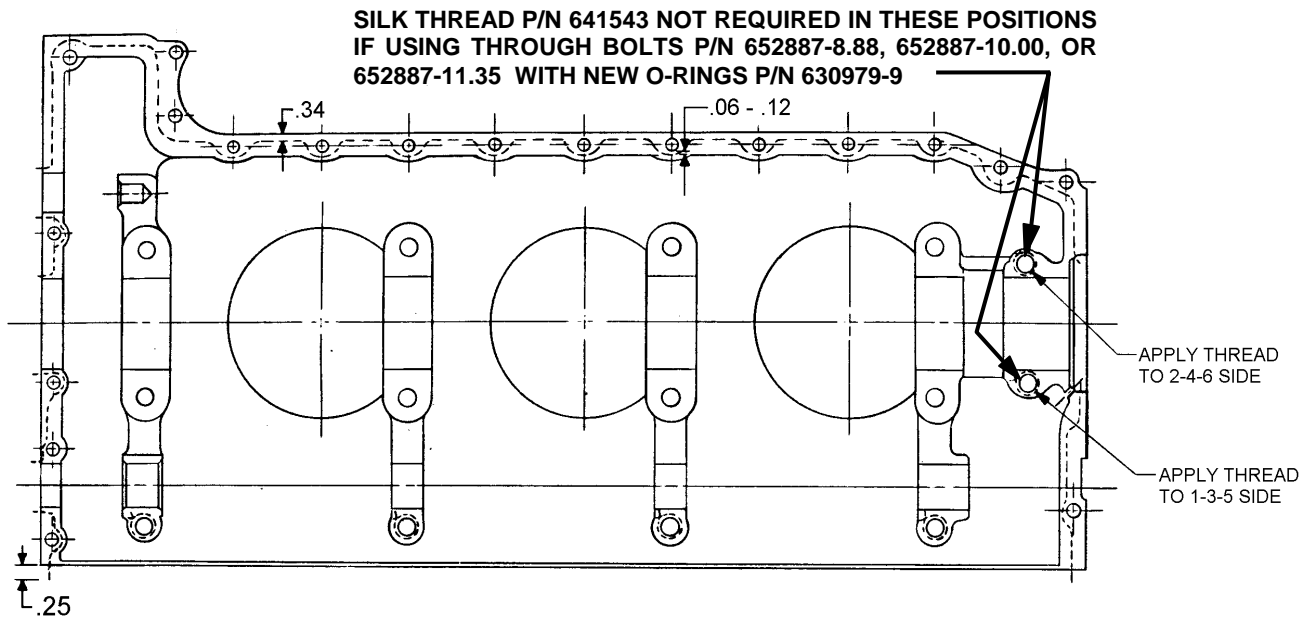
Do not apply Permatex to crankshaft nose seal area.

3. Apply a thin translucent coat of TCM Gasket Maker P/N 646942 not to exceed .010 inch thick to 1-3-5 case half. Apply Gasket Maker in all areas that will mate with areas where Permatex was applied on 2-4-6 case half.
4. Apply and position grade D silk thread P/N 641543 on 2-4-6 case half as specified in Figure 5. Be sure free ends of thread are covered by gaskets except at the nose oil seal.
5. Clean crankcase crankshaft front oil seal land with Locquic Primer "N" and apply an even coat of gasket maker.
6. Assemble crankcase halves, install and torque all crankcase hardware in proper sequence in accordance with the applicable overhaul manual as soon as possible.

**NOTE...**

Take care to prevent displacement or damage to the crankshaft oil seal and silk thread. Insure thrust washer halves and bearing halves remain in place.

ISSUED			REVISED				PAGE NO	REVISION
MO	DAY	YEAR	MO	DAY	YEAR		14 of 28 SIL99-2	B
03	29	99	10	17	2005	P.O. Box 90 Mobile Alabama • 251-438-3411		



**FIGURE 6. 0470, I0470, L/I0520, L/TSI0520, I0550 SANDCAST  
ENGINE CRANKCASE THREADING DIAGRAM**

***CRANKCASE SEALANT AND  
THREADING PROCEDURE***

1. Use full strength non-thinned Permatex aviation grade 3D. Shake or mix well before using.

**WARNING**

**Apply thread and permatex only as illustrated.**

2. Apply Permatex Number 3D to the 2-4-6 case half. Apply Permatex only in areas where thread is shown. When applying, use short light brush strokes until an even thin coat is obtained. The Permatex should be viscous enough that most of the brush marks disappear; if not, use a new can of Aviation Permatex. Allow the Permatex to air dry to a tacky condition before threading.

**NOTE...**

Do not apply Permatex to crankshaft nose seal area.

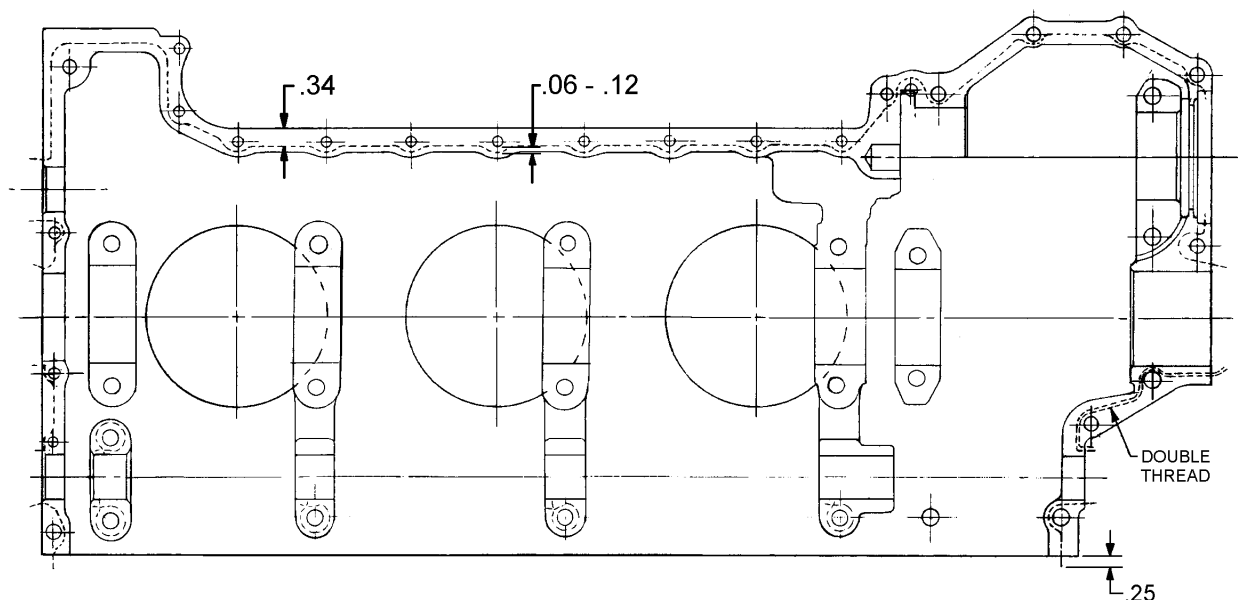
3. Apply a thin translucent coat of TCM Gasket Maker P/N 646942 not to exceed .010 inch thick to 1-3-5 case half. Apply Gasket Maker in all areas that will mate with areas where Permatex was applied on 2-4-6 case half.
4. Apply and position grade D silk thread P/N 641543 on case halves as specified in Figure 6.

5. Be sure free ends of thread are covered by gaskets except at the nose oil seal.
5. Clean crankcase crankshaft front oil seal land with Locquic Primer "N" and apply an even coat of gasket maker.
6. Assemble crankcase halves, install and torque all crankcase hardware in proper sequence in accordance with the applicable overhaul manual as soon as possible.

**NOTE...**

Take care to prevent displacement or damage to the crankshaft oil seal and silk thread. Insure thrust washer halves and bearing halves remain in place.

ISSUED			REVISED				PAGE NO	REVISION
MO	DAY	YEAR	MO	DAY	YEAR		15 of 28 SIL99-2	B
03	29	99	10	17	2005	P.O. Box 90 Mobile Alabama • 251-438-3411		



**FIGURE 7. GTSI0520 CRANKCASE THREADING DIAGRAM**

**CRANKCASE SEALANT AND THREADING PROCEDURE**

1. Use full strength non-thinned Permatex aviation grade 3D. Shake or mix well before using.

**WARNING**

**Apply thread and permatex only as illustrated.**

2. Apply Permatex Number 3D to the 2-4-6 case half. Apply Permatex only in areas where thread is shown. When applying, use short light brush strokes until an even thin coat is obtained. The Permatex should be viscous enough that most of the brush marks disappear; if not, use a new can of Aviation Permatex. Allow the Permatex to air dry to a tacky condition before threading.


**NOTE...**

Do not apply Permatex to crankshaft nose seal area.

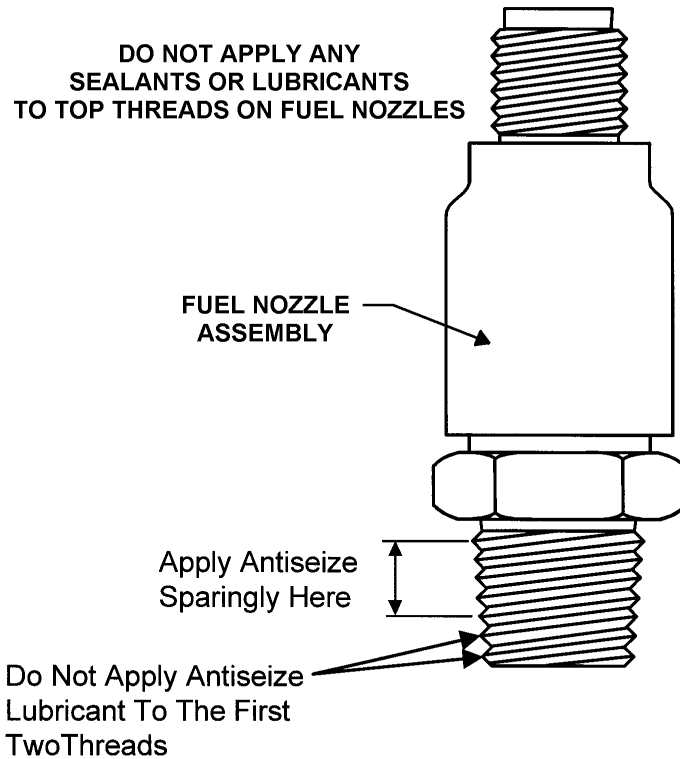
3. Apply a thin translucent coat of TCM Gasket Maker P/N 646942 not to exceed .010 inch thick to 1-3-5 case half. Apply Gasket Maker in all areas that will mate with areas where Permatex was applied on 2-4-6 case half.
4. Apply and position grade D silk thread P/N 641543 on 2-4-6 case half as specified in Figure 7. Be sure free ends of thread are covered by gaskets except at the nose oil seal.
5. Clean crankcase crankshaft front oil seal land with Locquic Primer "N" and apply an even coat of gasket maker.
6. Assemble crankcase halves, install and torque all crankcase hardware in proper sequence in accordance with the applicable overhaul manual as soon as possible.

**NOTE...**

Take care to prevent displacement or damage to the crankshaft oil seal and silk thread. Insure thrust washer halves and bearing halves remain in place.

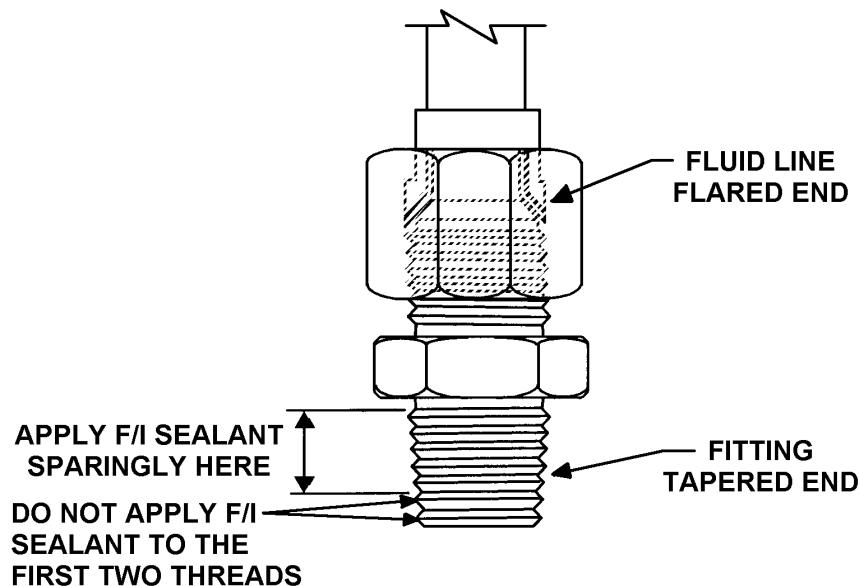
ISSUED			REVISED			 <b>Teledyne Continental Motors, Inc.</b> P.O. Box 90 Mobile Alabama • 251-438-3411	PAGE NO	REVISION
MO	DAY	YEAR	MO	DAY	YEAR		16 of 28 SIL99-2	B
03	29	99	10	17	2005			





**CAUTION...NEVER USE TEFLON TAPE ON FLUID FITTINGS OR FUEL NOZZLES**

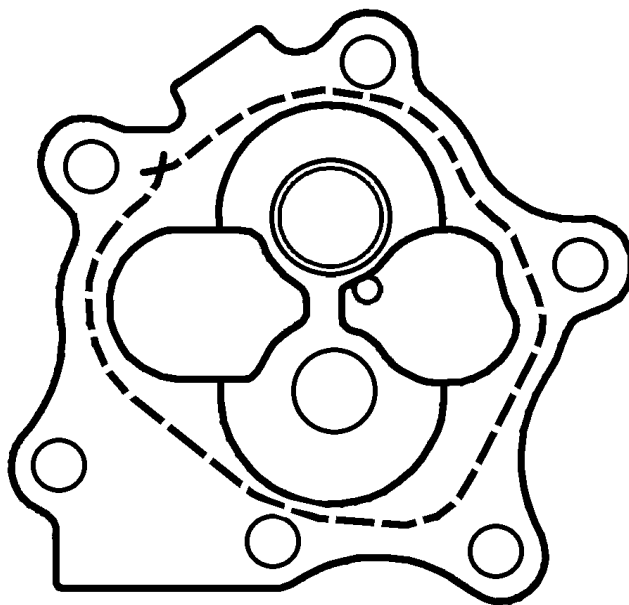
**FIGURE 8. GENERAL ANTISEIZE LUBRICANT APPLICATION**



**CAUTION...F/I SEALANT 646940 MUST BE APPLIED TO THE TAPERED END OF FITTINGS ONLY**  
**CAUTION...NEVER USE TEFLON TAPE ON FLUID FITTINGS OR FUEL NOZZLES**


**FIGURE 9. GENERAL FUEL INJECTION SEALANT APPLICATION**

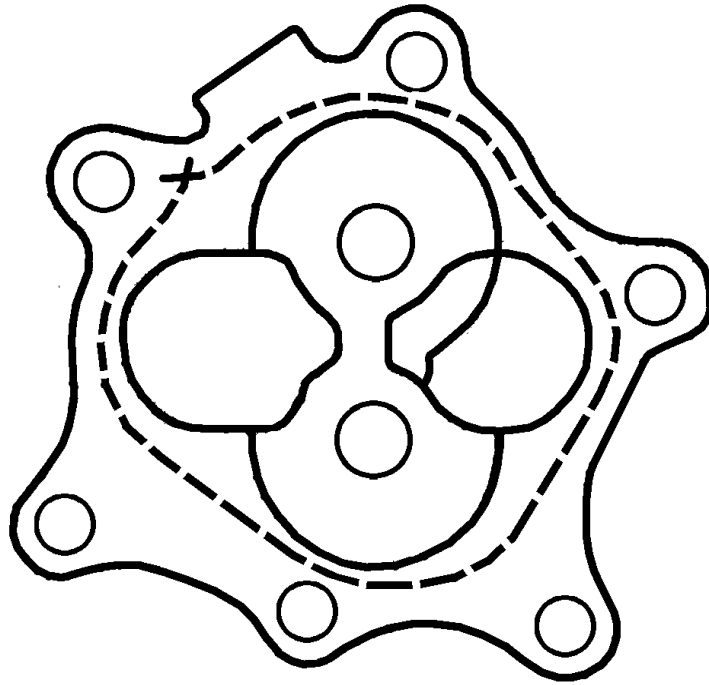
ISSUED			REVISED			 <b>Teledyne Continental Motors, Inc.</b> P.O. Box 90 Mobile Alabama • 251-438-3411	PAGE NO	REVISION
MO	DAY	YEAR	MO	DAY	YEAR		17 of 28 SIL99-2	B
03	29	99	10	17	2005			



**FIGURE 10. THREADING DIAGRAM FOR 640741A1, 652019, 652019A1, 655713A1 SCAVENGE PUMP BODIES USED ON STARTER ADAPTERS 642087A15, A18, A23, A27, A31, A35, A41, A47, A51, A55, A59, A64 AND CORRESPONDING 0.015 OVERSIZE ADAPTERS**


1. Use full strength, non thinned, aviation Permatex Grade 3D. shake or mix well before using.
2. Apply Permatex to the surface to be threaded using short light brush strokes until an even, thin coat is obtained. the Permatex should be viscous enough that most of the brush marks disappear, if not, use a new can of Permatex. Allow the Permatex to dry to a tacky condition before threading.
3. Apply a thin translucent coat of TCM Gasket Maker P/N 646942 not to exceed .010 inch thick to all mating areas on non threaded part.
4. Apply silk thread part number 641543 and position as shown by dashed lines.
5. Assemble and torque as soon as possible in accordance with the applicable overhaul manual.

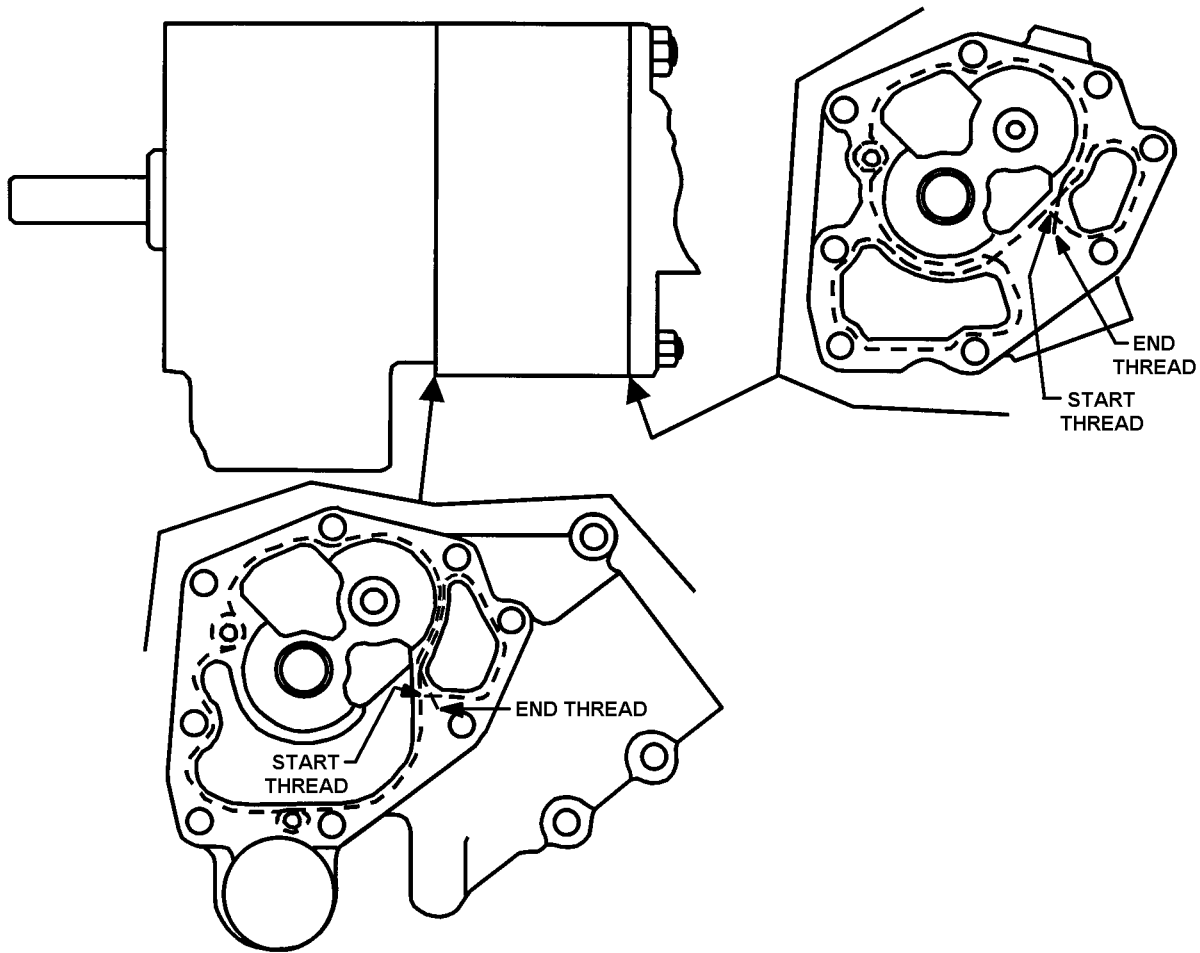
ISSUED			REVISED			 <b>Teledyne Continental Motors, Inc.</b> P.O. Box 90 Mobile Alabama • 251-438-3411	PAGE NO	REVISION
MO	DAY	YEAR	MO	DAY	YEAR		18 of 28 SIL99-2	B
03	29	99	10	17	2005			



**FIGURE 11. THREADING DIAGRAM FOR 639407, 640194 SCAVENGE PUMP BODIES USED ON STARTER ADAPTERS 642085A2 THROUGH A9, A11 THROUGH A18 AND CORRESPONDING 0.015 OVERSIZE ADAPTERS**


1. Use full strength, non thinned, aviation Permatex Grade 3D. shake or mix well before using.
2. Apply Permatex to the surface to be threaded using short light brush strokes until an even, thin coat is obtained. the Permatex should be viscous enough that most of the brush marks disappear, if not, use a new can of Permatex. Allow the Permatex to dry to a tacky condition before threading.
3. Apply a thin translucent coat of TCM Gasket Maker P/N 646942 not to exceed .010 inch thick to all mating areas on non threaded part.
4. Apply silk thread part number 641543 and position as shown by dashed lines.
5. Assemble and torque as soon as possible in accordance with the applicable overhaul manual.

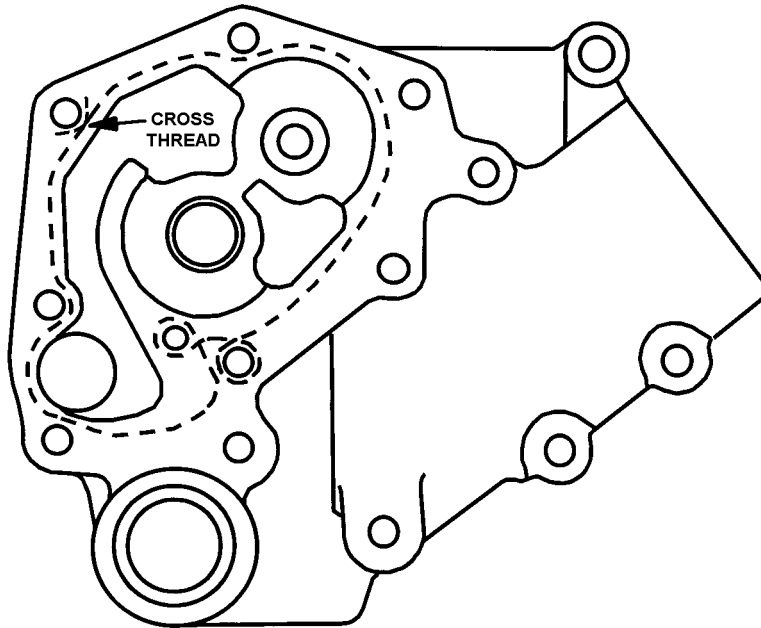
ISSUED			REVISED			 <b>Teledyne Continental Motors, Inc.</b> P.O. Box 90 Mobile Alabama • 251-438-3411	PAGE NO	REVISION
MO	DAY	YEAR	MO	DAY	YEAR		19 of 28 SIL99-2	B
03	29	99	10	17	2005			



**FIGURE 12. THREADING DIAGRAM USED ON OIL PUMP ASSEMBLIES 632623A16, A17, A20, A21, A22, A24, A25, A26, A27 AND A28**

1. Use full strength, non thinned, aviation Permatex Grade 3D. shake or mix well before using.
2. Apply Permatex to the surface to be threaded using short light brush strokes until an even, thin coat is obtained. the Permatex should be viscous enough that most of the brush marks disappear, if not, use a new can of Permatex. Allow the Permatex to dry to a tacky condition before threading.
3. Apply a thin translucent coat of TCM Gasket Maker P/N 646942 not to exceed .010 inch thick to all mating areas on non threaded part.
4. Apply silk thread part number 641543 and position as shown by dashed lines.
5. Assemble and torque as soon as possible in accordance with the applicable overhaul manual.

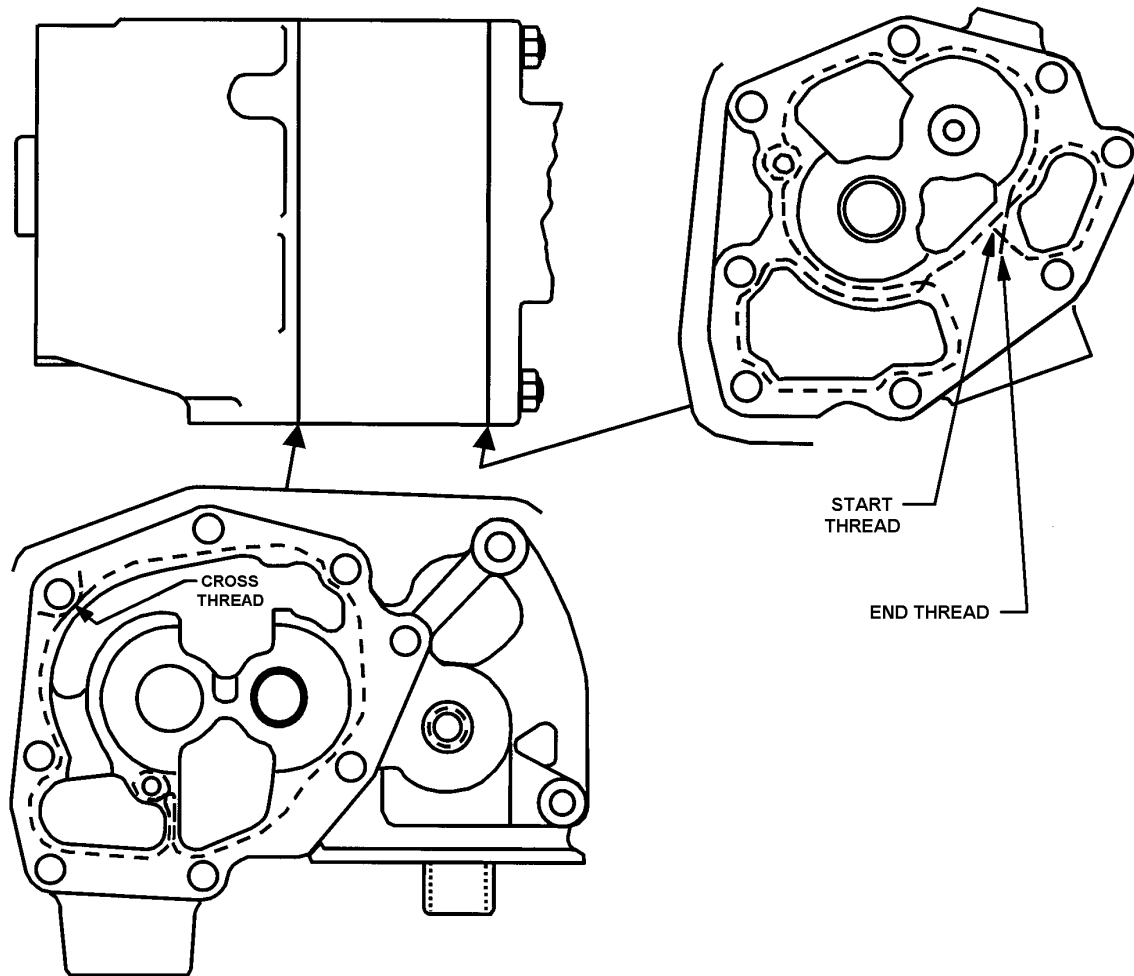
ISSUED			REVISED			 <b>Teledyne Continental Motors, Inc.</b> P.O. Box 90 Mobile Alabama • 251-438-3411	PAGE NO	REVISION
MO	DAY	YEAR	MO	DAY	YEAR		20 of 28 SIL99-2	B
03	29	99	10	17	2005			



**FIGURE 13. THREADING DIAGRAM USED ON OIL PUMP ASSEMBLIES 632563A25, A26, A27, A28, A29, A30, A31, A32, A35, A36, A38 AND A39**


1. Use full strength, non thinned, aviation Permatex Grade 3D. shake or mix well before using.
2. Apply Permatex to the surface to be threaded using short light brush strokes until an even, thin coat is obtained. the Permatex should be viscous enough that most of the brush marks disappear, if not, use a new can of Permatex. Allow the Permatex to dry to a tacky condition before threading.
3. Apply a thin translucent coat of TCM Gasket Maker P/N 646942 not to exceed .010 inch thick to all mating areas on non threaded part.
4. Apply silk thread part number 641543 and position as shown by dashed lines.
5. Assemble and torque as soon as possible in accordance with the applicable overhaul manual.

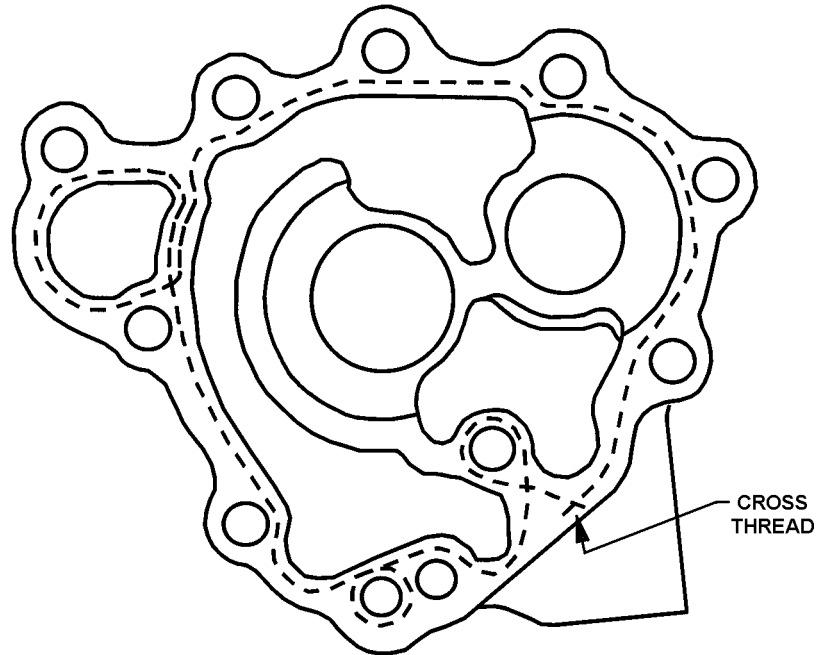
ISSUED			REVISED			 <b>Teledyne Continental Motors, Inc.</b> P.O. Box 90 Mobile Alabama • 251-438-3411	PAGE NO	REVISION
MO	DAY	YEAR	MO	DAY	YEAR		21 of 28 SIL99-2	B
03	29	99	10	17	2005			



**FIGURE 14. THREADING DIAGRAM USED ON OIL PUMP ASSEMBLIES 646194A1, 653536A1, A2, A3, 655121A1, A2 AND A3**


1. Use full strength, non thinned, aviation Permatex Grade 3D. shake or mix well before using.
2. Apply Permatex to the surface to be threaded using short light brush strokes until an even, thin coat is obtained. the Permatex should be viscous enough that most of the brush marks disappear, if not, use a new can of Permatex. Allow the Permatex to dry to a tacky condition before threading.
3. Apply a thin translucent coat of TCM Gasket Maker P/N 646942 not to exceed .010 inch thick to all mating areas on non threaded part.
4. Apply silk thread part number 641543 and position as shown by dashed lines.
5. Assemble and torque as soon as possible in accordance with the applicable overhaul manual.

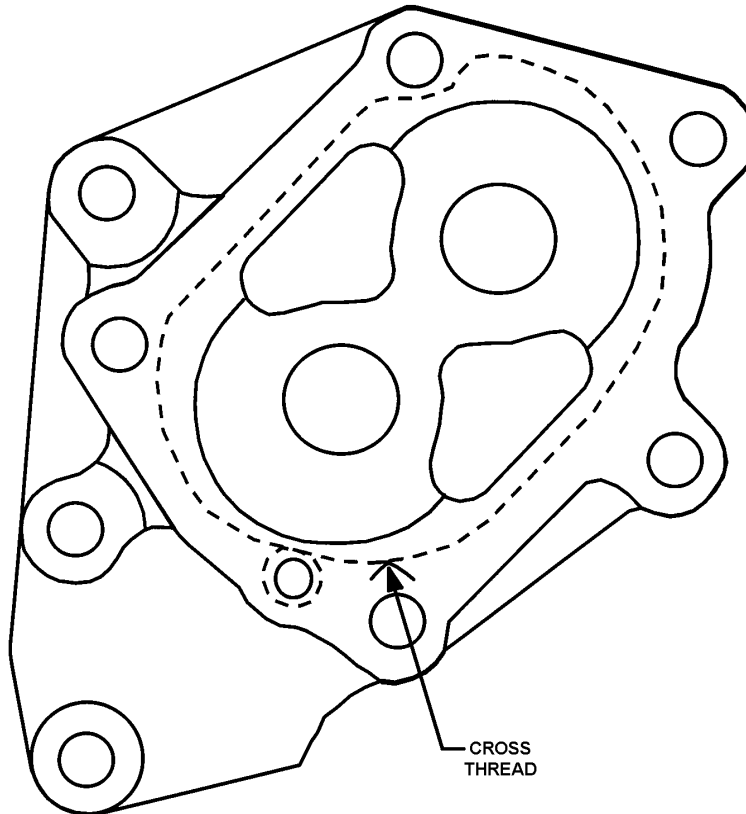
ISSUED			REVISED			 <b>Teledyne Continental Motors, Inc.</b> P.O. Box 90 Mobile Alabama • 251-438-3411	PAGE NO	REVISION
MO	DAY	YEAR	MO	DAY	YEAR		22 of 28 SIL99-2	B
03	29	99	10	17	2005			



**FIGURE 15. THREADING DIAGRAM USED ON OIL PUMP ASSEMBLIES 637709  
637709-2 AND 641602**

1. Use full strength, non thinned, aviation Permatex Grade 3D. shake or mix well before using.
2. Apply Permatex to the surface to be threaded using short light brush strokes until an even, thin coat is obtained. the Permatex should be viscous enough that most of the brush marks disappear, if not, use a new can of Permatex. Allow the Permatex to dry to a tacky condition before threading.
3. Apply a thin translucent coat of TCM Gasket Maker P/N 646942 not to exceed .010 inch thick to all mating areas on non threaded part.
4. Apply silk thread part number 641543 and position as shown by dashed lines.
5. Assemble and torque as soon as possible in accordance with the applicable overhaul manual.

ISSUED			REVISED			 <b>Teledyne Continental Motors, Inc.</b> P.O. Box 90 Mobile Alabama • 251-438-3411	PAGE NO	REVISION
MO	DAY	YEAR	MO	DAY	YEAR		23 of 28 SIL99-2	B
03	29	99	10	17	2005			

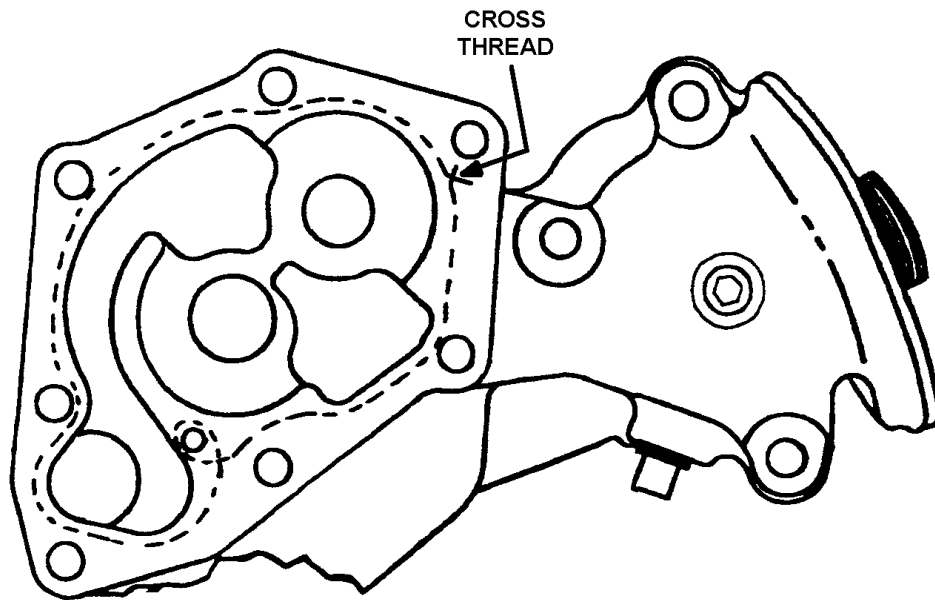


**FIGURE 16. THREADING DIAGRAM USED ON OIL PUMP ASSEMBLIES 632770A1, A2, A3, A4, 643716A3, A4 643717-1, 653538A2, A3, A4, A5, AND 655119A2, A3**

1. Use full strength, non thinned, aviation Permatex Grade 3D. shake or mix well before using.
2. Apply Permatex to the surface to be threaded using short light brush strokes until an even, thin coat is obtained. the Permatex should be viscous enough that most of the brush marks disappear, if not, use a new can of Permatex. Allow the Permatex to dry to a tacky condition before threading.
3. Apply a thin translucent coat of TCM Gasket Maker P/N 646942 not to exceed .010 inch thick to all mating areas on non threaded part.
4. Apply silk thread part number 641543 and position as shown by dashed lines.
5. Assemble and torque as soon as possible in accordance with the applicable overhaul manual.

ISSUED			REVISED			 <b>Teledyne Continental Motors, Inc.</b> P.O. Box 90 Mobile Alabama • 251-438-3411	PAGE NO	REVISION
MO	DAY	YEAR	MO	DAY	YEAR		24 of 28 SIL99-2	B
03	29	99	10	17	2005			

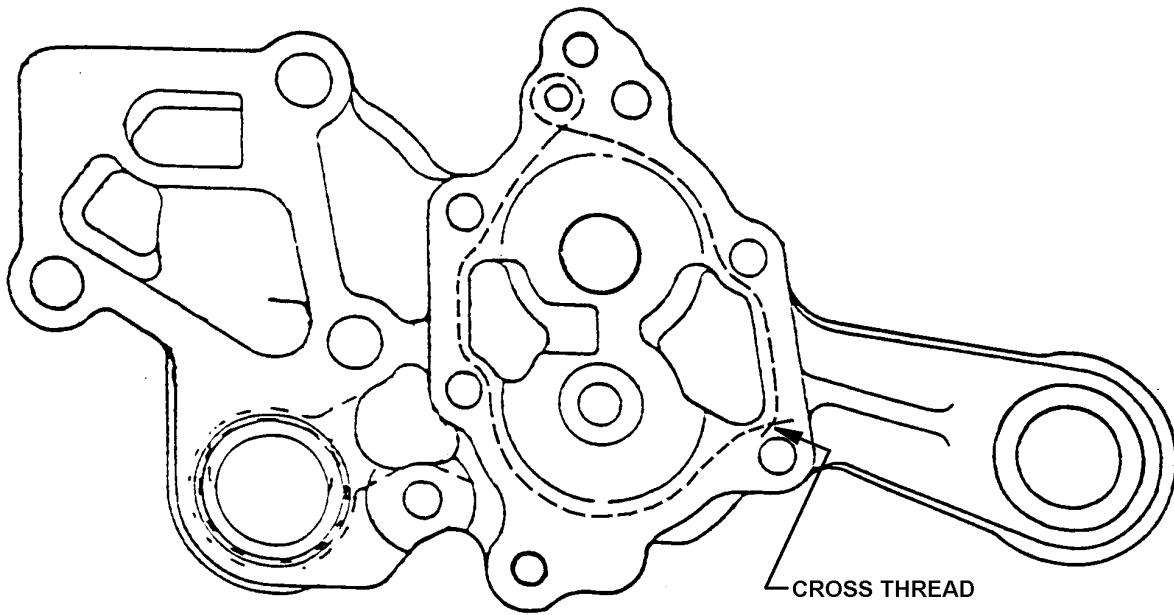




**FIGURE 17. THREADING DIAGRAM USED ON OIL PUMP ASSEMBLIES 643716A3, A4, 643717-1, 643743-1A1, 643778, 643778-1, 643779, 653494A2, 653538A2, A3, A4, A5, 653542, 653542A1, 653553, 655117A2, 655119A2, A3, 655124, 655127 AND 655127A1**

1. Use full strength, non thinned, aviation Permatex Grade 3D. shake or mix well before using.
2. Apply Permatex to the surface to be threaded using short light brush strokes until an even, thin coat is obtained. the Permatex should be viscous enough that most of the brush marks disappear, if not, use a new can of Permatex. Allow the Permatex to dry to a tacky condition before threading.
3. Apply a thin translucent coat of TCM Gasket Maker P/N 646942 not to exceed .010 inch thick to all mating areas on non threaded part.
4. Apply silk thread part number 641543 and position as shown by dashed lines.
5. Assemble and torque as soon as possible in accordance with the applicable overhaul manual.

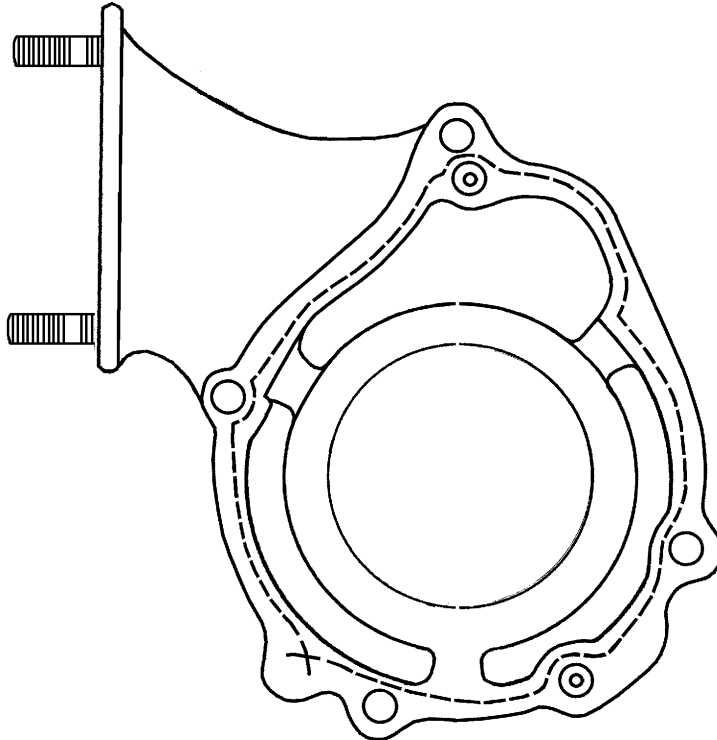
ISSUED			REVISED			 <b>Teledyne Continental Motors, Inc.</b> P.O. Box 90 Mobile Alabama • 251-438-3411	PAGE NO	REVISION
MO	DAY	YEAR	MO	DAY	YEAR		25 of 28 SIL99-2	B
03	29	99	10	17	2005			



**FIGURE 18. THREADING DIAGRAM USED ON OIL PUMP ASSEMBLIES 632970, 632977A4, A5, A6, A7, A8, A9, A10, A11, 654437 AND 655680**

1. Use full strength, non thinned, aviation Permatex Grade 3D. shake or mix well before using.
2. Apply Permatex to the surface to be threaded using short light brush strokes until an even, thin coat is obtained. the Permatex should be viscous enough that most of the brush marks disappear, if not, use a new can of Permatex. Allow the Permatex to dry to a tacky condition before threading.
3. Apply a thin translucent coat of TCM Gasket Maker P/N 646942 not to exceed .010 inch thick to all mating areas on non threaded part.
4. Apply silk thread part number 641543 and position as shown by dashed lines.
5. Assemble and torque as soon as possible in accordance with the applicable overhaul manual.

ISSUED			REVISED			 <b>Teledyne Continental Motors, Inc.</b> P.O. Box 90 Mobile Alabama • 251-438-3411	PAGE NO	REVISION
MO	DAY	YEAR	MO	DAY	YEAR		26 of 28 SIL99-2	B
03	29	99	10	17	2005			



**FIGURE 19. THREADING DIAGRAM USED ON STARTER ADAPTER ASSEMBLIES**

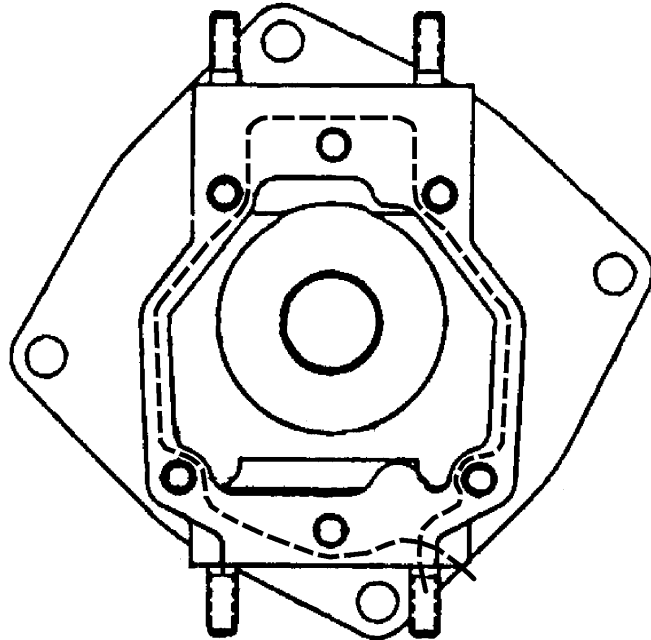
641348A7, 641348A11, 641348A12, 653074A1, 653074A1M015, 653074A2, 653074A2M015, 653074A3, 653074A4, 653074A4M015, 653074A6, 653074A7, 653074A7M015, 653074A8, 653074A8M015, 653074A9, 653074A9M015, 653074A10, 653074A11, 653074A11M015, 653074A12, 653074A12M015, 653074A13, 653074A123M015, 653074A14, 653074A14M015, 653074A15, 653074A16, 653074A16M015, 653074A17, 653074A17M015, 653074A18, 653074A18M015, 653074A19, 653074A19M015, 653074A20, 653074A21, 653074A21M015, 653074A22, 653074A22M015, 653074A23, 653074A24, 653074A25, 653074A26, 653074A26M015, 653074A27, 653074A28, 653074A28M015, 653074A29, 653074A29M015, 653074A30, 653074A30M015, 653074A31, 653074A31M015, 653074A32, 653074A32M015, 653074A33, 653074A34, 653074A34M015, 653074A35, 653074A35M015, 653074A36, 653074A36M015, 653074A37, 653074A38, 653074A38M015, 653074A39, 653074A40, 653074A40M015, 653074A41, 653074A41M015, 653074A42, 653074A42M015, 653074A43, 653074A43M015, 653074A44, 653074A44M015, 653074A45, 653074A45M015, 653074A46 AND 653074A46M015, 653074A47, 653074A47M015, 653074A48, 653074A48M015, 653074A49, 653074A50, 653074A51, 653074A51M015, 653074A52 AND 653074A52M015

**INSTALLATION:**

After permatex and thread have been applied to the starter adapter in accordance with the above illustration and prior to installation, apply a thin coat of blue loctite gasket maker to the accessory case, starter adapter mounting flange. Temporarily install the starter adapter to make an impression of

the thread on the accessory case. Carefully remove the starter adapter so that the shaft gear does not pull out. Inspect the thread impression for 100% contact between the adapter and accessory case. Wipe excess gasket maker off of accessory case and install starter adapter in accordance with the applicable overhaul instructions.

ISSUED			REVISED			 <b>Teledyne Continental Motors, Inc.</b> P.O. Box 90 Mobile Alabama • 251-438-3411	PAGE NO	REVISION
MO	DAY	YEAR	MO	DAY	YEAR		27 of 28	B
03	29	99	10	17	2005		SIL99-2	



**FIGURE 20. ACCESSORY DRIVE ADAPTER THREADING PROCEDURE FOR STARTER ADAPTER ASSEMBLIES:**

641348A7, 641348A11, 641348A12, 653074A1, 653074A1M015, 653074A2, 653074A2M015, 653074A3, 653074A4, 653074A4M015, 653074A6, 653074A7, 653074A7M015, 653074A8, 653074A8M015, 653074A9, 653074A9M015, 653074A10, 653074A11, 653074A11M015, 653074A12, 653074A12M015, 653074A13, 653074A123M015, 653074A14, 653074A14M015, 653074A15, 653074A16, 653074A16M015, 653074A17, 653074A17M015, 653074A18, 653074A18M015, 653074A19, 653074A19M015, 653074A20, 653074A21, 653074A21M015, 653074A22, 653074A22M015, 653074A23, 653074A24, 653074A25, 653074A26, 653074A26M015, 653074A27, 653074A28, 653074A28M015, 653074A29, 653074A29M015, 653074A30, 653074A30M015, 653074A31, 653074A31M015, 653074A32, 653074A32M015, 653074A33, 653074A34, 653074A34M015, 653074A35, 653074A35M015, 653074A36, 653074A36M015, 653074A37, 653074A38, 653074A38M015, 653074A39, 653074A40, 653074A40M015, 653074A41, 653074A41M015, 653074A42, 653074A42M015, 653074A43, 653074A43M015, 653074A44, 653074A44M015, 653074A45, 653074A45M015, 653074A46 AND 653074A46M015, 653074A47, 653074A47M015, 653074A48, 653074A48M015, 653074A49, 653074A50, 653074A51, 653074A51M015, 653074A52 AND 653074A52M015

1. Use full strength, non thinned, aviation Permatex Grade 3D. shake or mix well before using.
2. Apply Permatex to the surface to be threaded using short light brush strokes until an even, thin coat is obtained. the Permatex should be viscous enough that most of the brush marks disappear, if not, use a new can of Permatex. Allow the Permatex to dry to a tacky condition before threading.
3. Apply a thin translucent coat of TCM Gasket Maker P/N 646942 not to exceed .010 inch thick to all mating areas on non threaded part.
4. Apply silk thread part number 641543 and position as shown by dashed lines.
5. Assemble and torque as soon as possible in accordance with the applicable overhaul manual.

ISSUED			REVISED			 <b>Teledyne Continental Motors, Inc.</b> P.O. Box 90 Mobile Alabama • 251-438-3411	PAGE NO	REVISION
MO	DAY	YEAR	MO	DAY	YEAR		28 of 28 SIL99-2	B
03	29	99	10	17	2005			